



# 'Grill Like A Champion Today' Outdoor Cooking Island

Supply List and Build Instructions

## Supply List

### APPLIANCES:

Grill (of choice) to fit in 30 ¾"-wide x 32"-high x 25 ½"-deep cooking table opening  
Medium Big Green Egg-brand smoker | 54-quart stainless cooler (of choice)

### CUT CEDAR LUMBER:

(Letter designations/placements can be found in Diagrams 1-7 on pages 5-8)

Eight (8) 30 ¼" 4x4s (A) | Fifteen (15) 24" 2x4s (C) | Two (2) 27 ½" 2x4s (F)  
Two (2) 30 ½" 2x4s (D) | Two (2) 96" 2x4s (B) | Two (2) 16" 2x4s (E1)  
Two (2) 11 ½" 2x4s (E2) | One (1) 8" 2x4 (E3) | Three (3) 19 5/8" 2x6s ((J)  
Two (2) 19 5/8" 2x4s (J1) | Five (5) 25 ¾" 2x6s (I) | Five (5) 39 ½" 2x6s (H)  
Two (2) 39 ½" 2x4s\*\* (M) | Two 25 ¾" 2x4s\*\* (N)  
Five (5) 39 ½" x 5 ½" ¾" Slats (K) | Four (4) 18" x 5 ½" ¾" Slats (L)  
One (1) 18" x 3 ½" ¾" Slat (L1) | Two (2) 18" x 1" ¾" Slats (L2)

**\*\*Do not pre-cut sections M and N until entire cooking island has been fully assembled.**

### CUT/TREATED PINE LUMBER:

(Letter designations/placements can be found in Diagrams 1-7 on pages 5-8)

Four (4) 5 ½" 2x4 ground isolators (P) | Four (4) 3 ½" 2x4 ground isolators (P1)

### OTHER:

Two (2) 2" cement blocks (place under Big Green Egg in Diagram 4)

### HARDWARE:

One (1) box of 1 ½" #8 flat-head deck screws | Two (2) boxes of 3" #8 flat-head deck screws  
One (1) box (35-count) 3/8" dowel pins | One (1) bottle of interior/exterior water proof wood glue  
One (1) pack 24" full-extension ball-bearing slide set (soft-close)

### TOOLS:

Tape Measure | T-square | Power drill with Phillips or T-Star head bit (deck screw-type)  
Circular saw | Router with cutting bit or jigsaw with wood-cutting blade | Extension cord  
Wood clamps | Ratchet straps





# 'Grill Like A Champion Today' Outdoor Cooking Island

Supply List and Build Instructions

## BUILD INSTRUCTIONS

1. Assemble top and bottom island frames, per Diagrams 1 and 2. Use four (2) 3" #8 flat-head deck screws in each corner.

**SPECIAL NOTE:** For (M) and (N), 96" 2x4s should be used, and then cut as outlined in Diagram 1 once cooking island has been fully assembled.



2. Install corner and center 4x4 posts—8 total and labeled as (A)—to connect top and bottom frames, per Diagrams 3 and 4.



3. Install spreaders—3 for top frame/6 for the bottom frame, and labeled as (C)—per Diagrams 1 and 2.





# 'Grill Like A Champion Today' Outdoor Cooking Island

Supply List and Build Instructions

## BUILD INSTRUCTIONS

4. Install vertical supports for Big Green Egg—2 total and labeled as (D)—per Diagrams 1 and 4.
5. Install horizontal supports for Big Green Egg—2 total and labeled as (C)—per Diagram 4.



6. Install horizontal supports (J and J1) for Big Green Egg—2 total and labeled as (C)—per Diagrams 4 and 7—on top of horizontal supports (C).

**SPECIAL NOTE:** If a medium Big Green Egg is being used (and not a similar brand), measurement from top of (J) and (J1) supports to top of finished table (H) should be 14". Also, per Diagram 7, notice that widths and positioning of (J) and (J1) are different.



7. Install Big Green Egg outer supports—labeled E1, E2 and E3—using two (2) 3" #8 flat-head deck screws for each end of each support board (5 total), per Diagram 1.





# 'Grill Like A Champion Today' Outdoor Cooking Island

Supply List and Build Instructions

## BUILD INSTRUCTIONS

8. Attach pre-cut shelving boards—5 total and labeled as (K)—to bottom-left frame under Big Green Egg using 1 ½" #8 decking screws, per Diagram 4.



9. Attach 27 ½"x 2"x4" cooler slide-out tray supports—2 total and labeled as (F)—at the right-hand side of bottom frame, per Diagram 4.



10. Attach two (2) 24" full-extension ball-bearing slide rails to (F) and (G) supports, per Diagram 4.

11. Set (L) and (L1) boards on top of (G) supports to create cooler slide-out tray, and attach with 1 ½" #8 decking screws. Attach (L2s) at back and front of slide out to create a cooler stop.





# 'Grill Like A Champion Today' Outdoor Cooking Island

Supply List and Build Instructions

## BUILD INSTRUCTIONS

12. Construct island tops (left and right) using cedar 2x6s—5 (Hs) and 5 (Vs)—per Diagrams 5 and 6.

**SPECIAL NOTE:** Position a traced 19" diameter hole (to then be cut to accommodate Big Green Egg), per dimensions in Diagram 5 so the dowel pin placement does not fall within the cut out.

13. Install both tops using equally spaced 3" #8 flat-head deck screws.



14. Flip island upside-down and install ground isolators—8 total and labeled as (P) and (P1)—per Diagram 4.



15. Flip island back upright and cut away 19"-diameter Big Green Egg hole, per Diagram 5.





# 'Grill Like A Champion Today' Outdoor Cooking Island

Supply List and Build Instructions

## BUILD INSTRUCTIONS

16. Cut (M) and (N) 2x4s to create grill opening, per Diagram 1.



17. Install 2 concrete blocks—labeled as (O)—on top of (J/J1) shelf, then install Big Green Egg so the bottom of it rests on blocks.



18. Install gas grill and stainless cooler.

19. Once food's on the grill, get outside . . .  
And into the game!



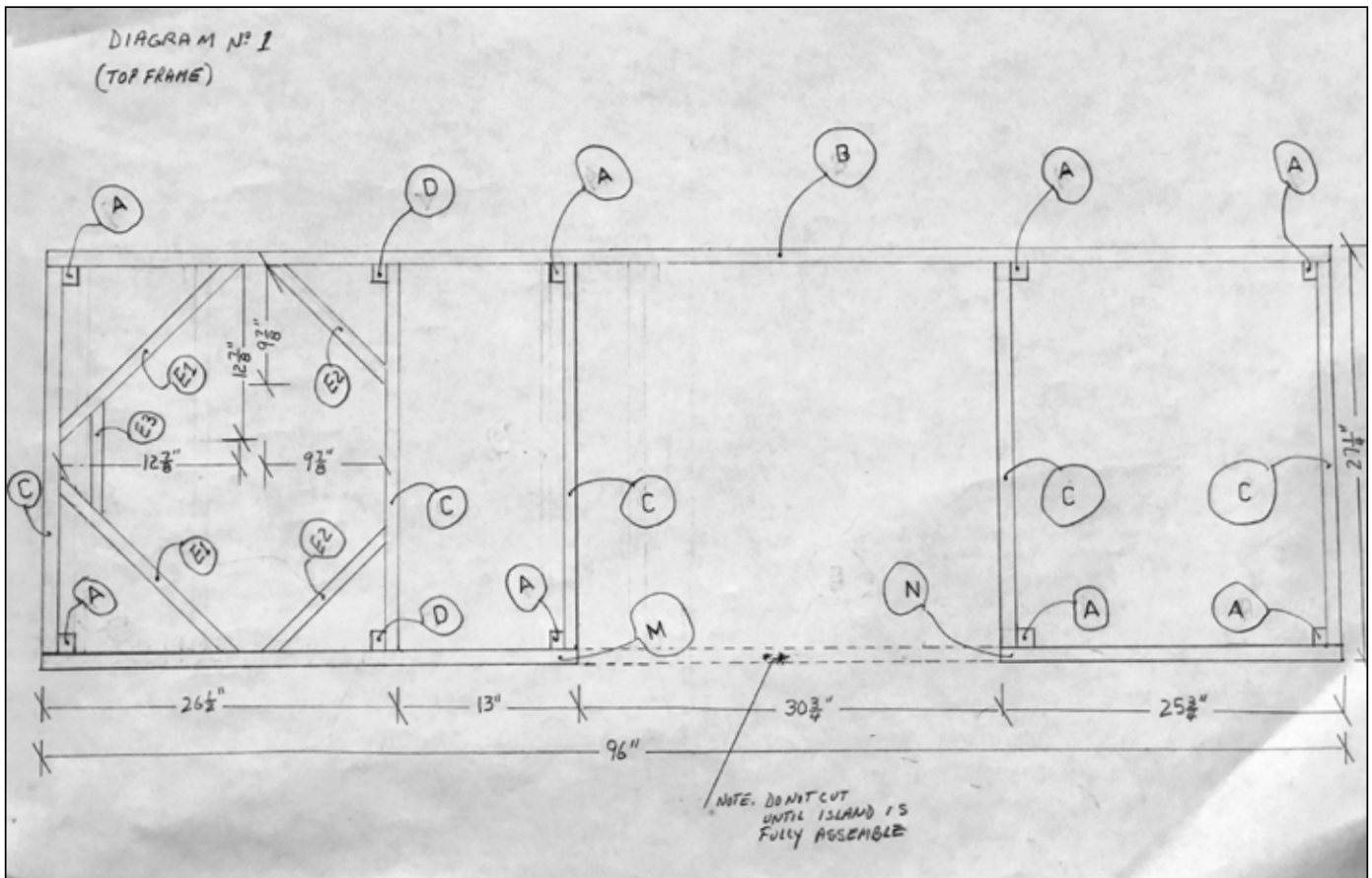


Diagram 1 - Top Frame

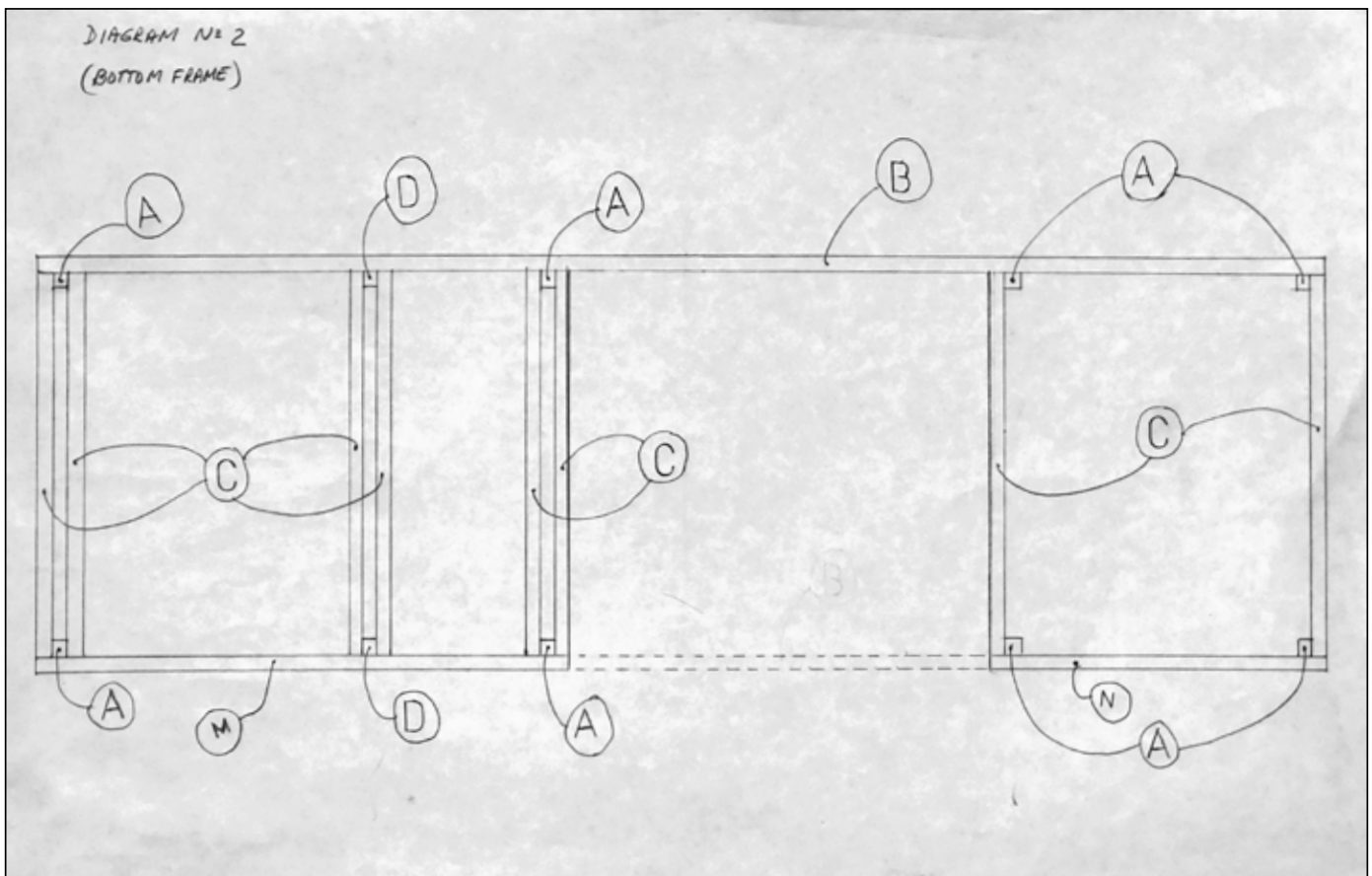


Diagram 2 - Bottom Frame

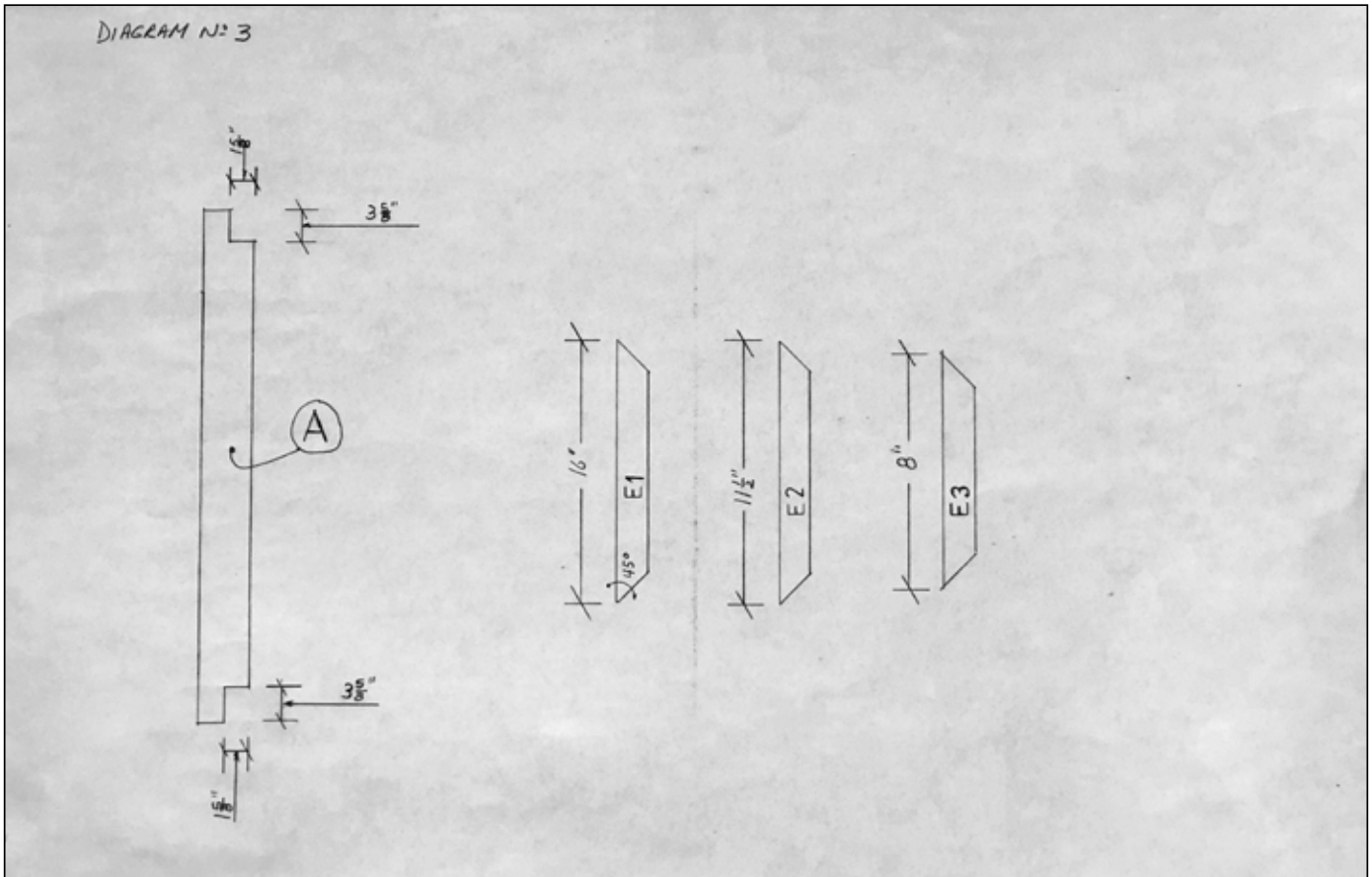


Diagram 3 - Top View

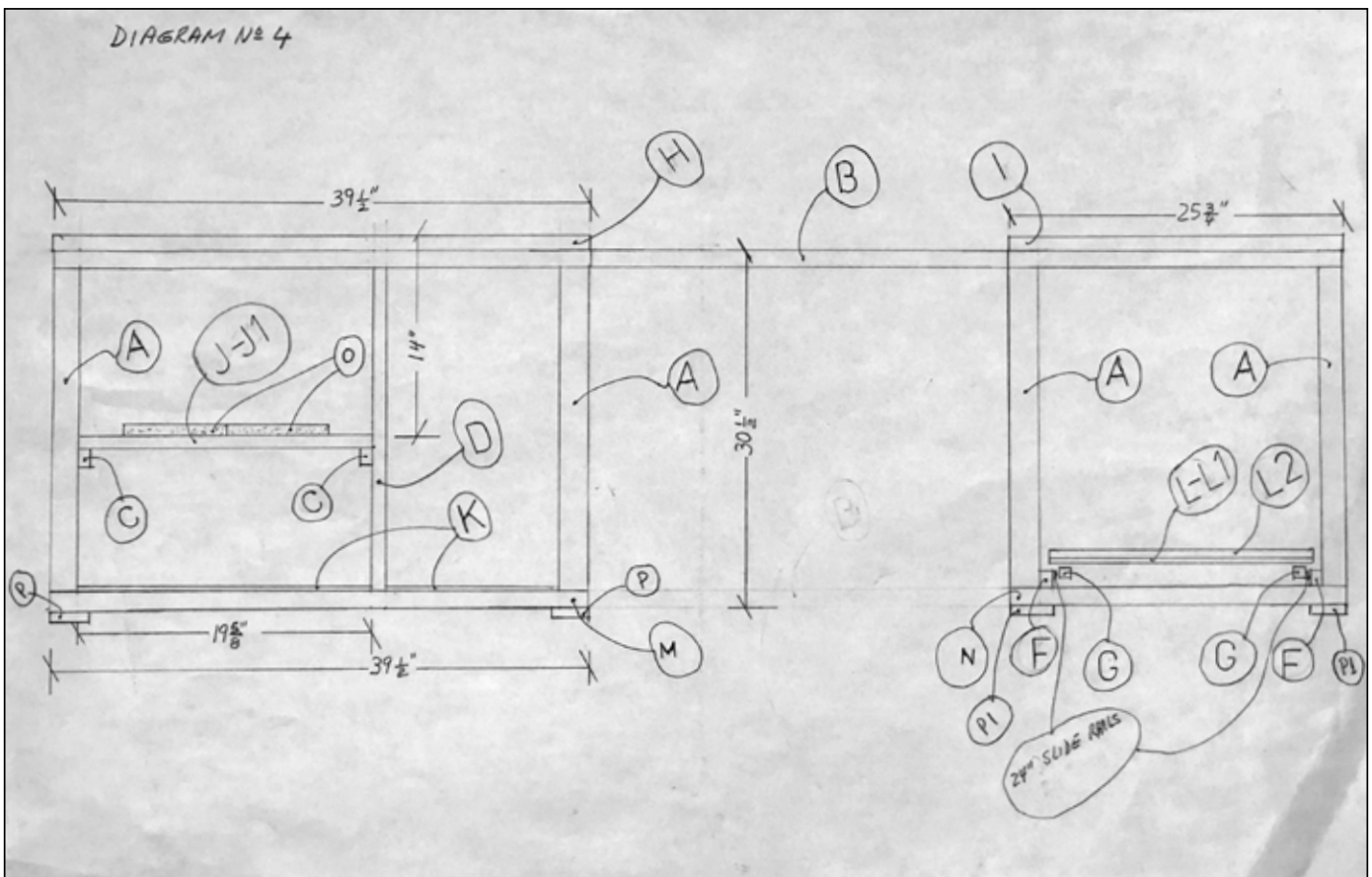


Diagram 4 - Front View



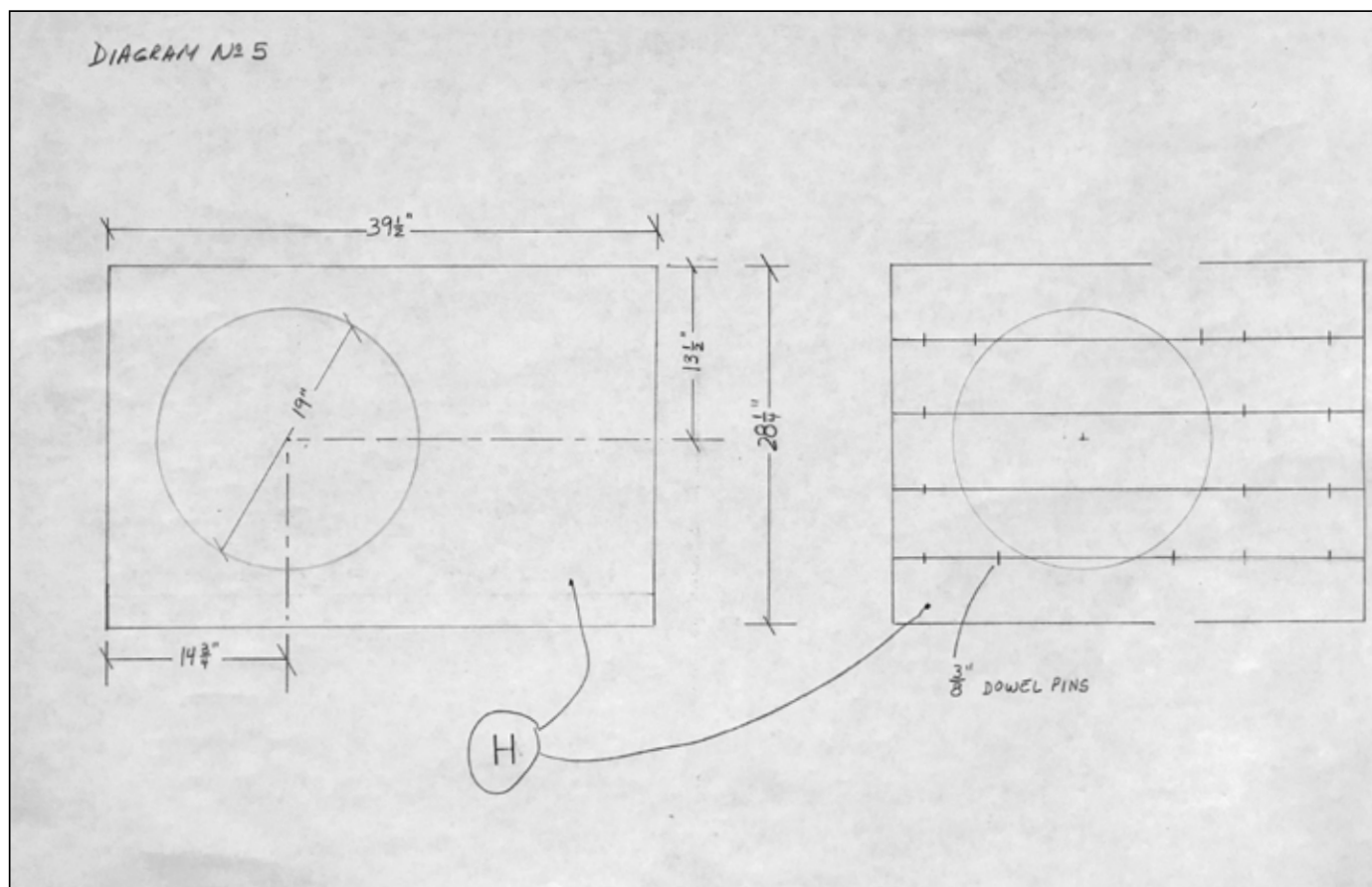


Diagram 5 - Top View

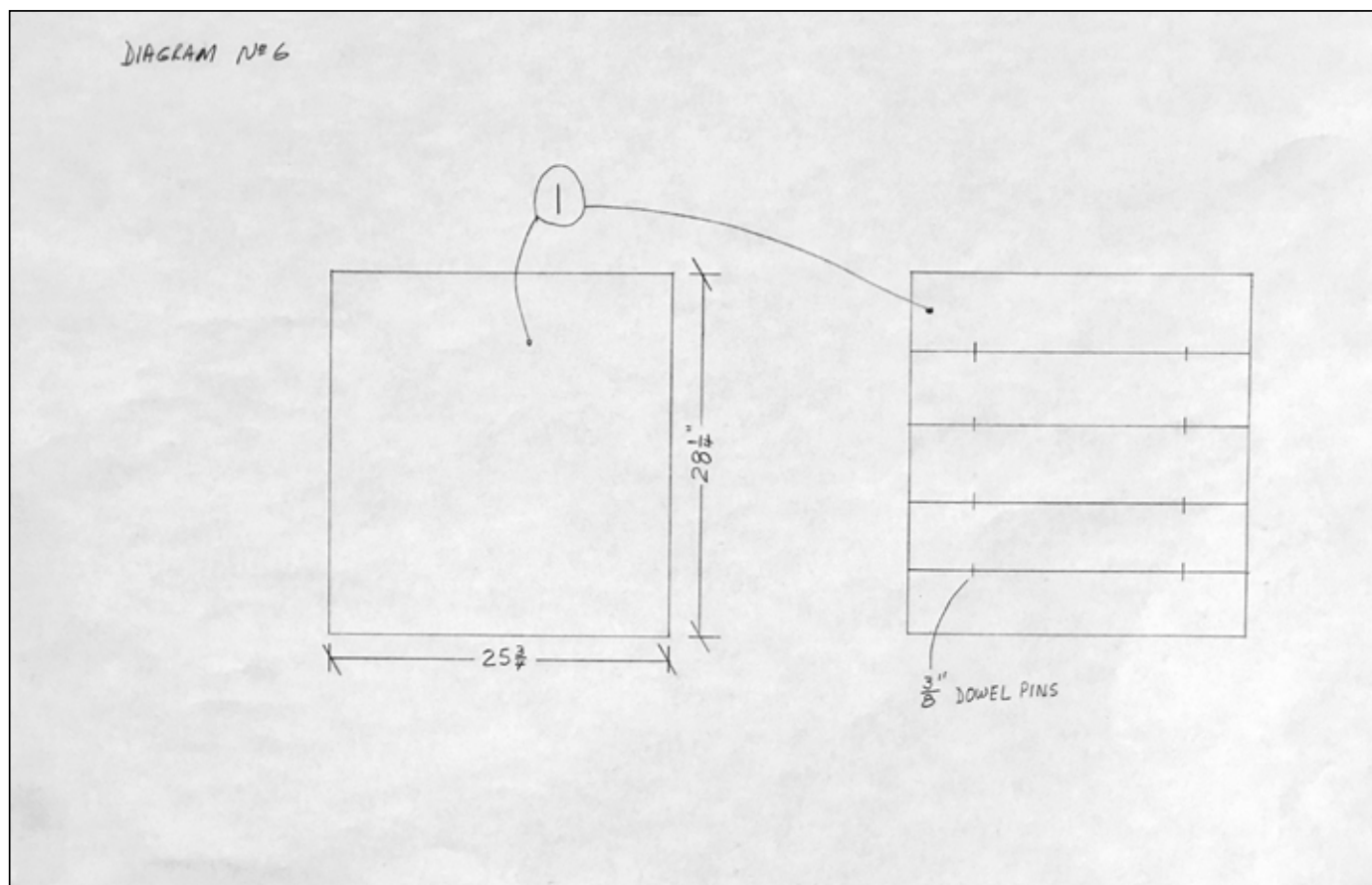


Diagram 6 - Top View

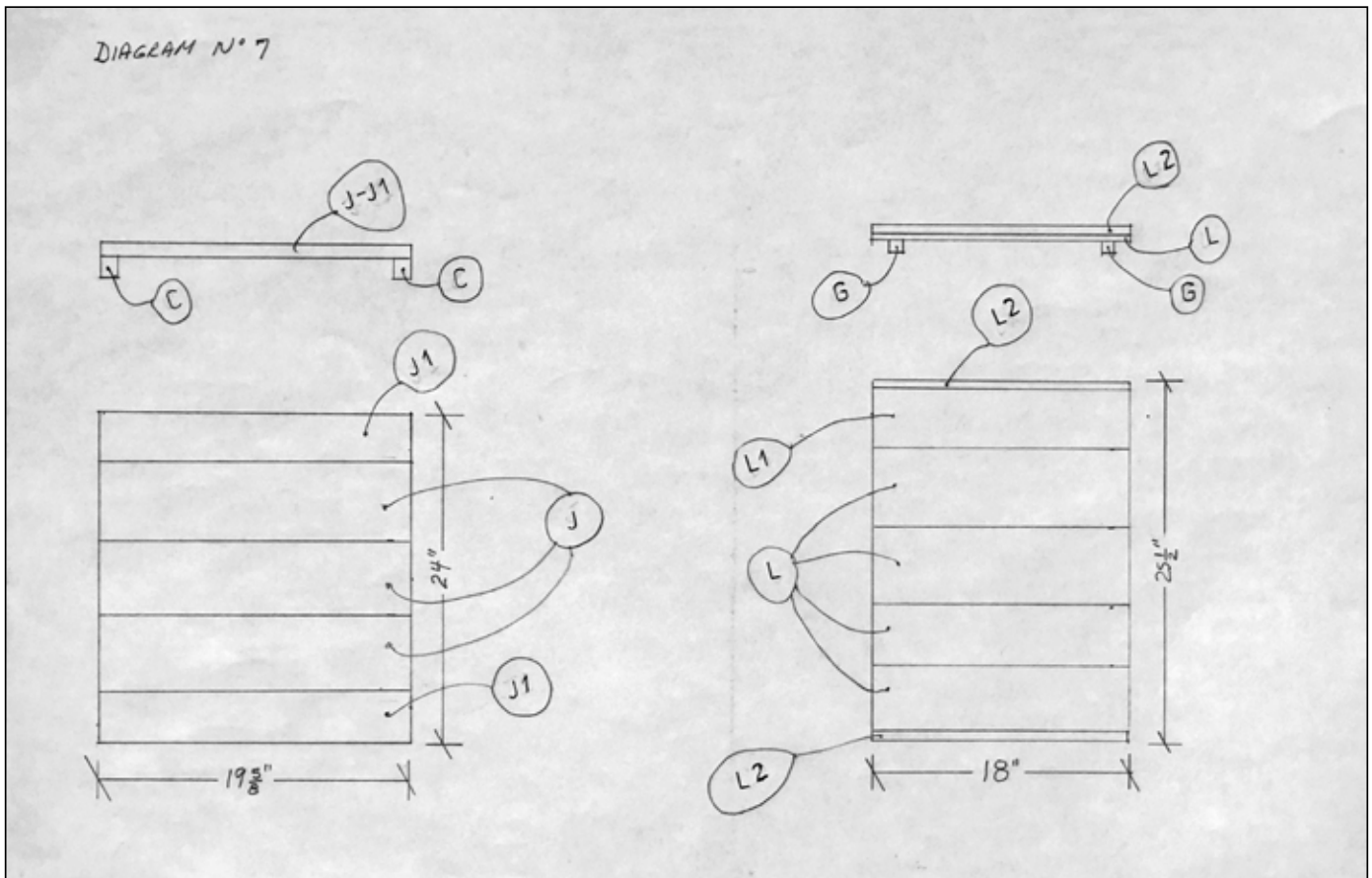


Diagram 7 - Side View | Top View

## CARE INSTRUCTIONS

If outdoor cooking island will be stored outside, applying a coat of wood sealer is recommended.