



# 'Get In The Game' Football Toss Wall

Supply List and Build Instructions

## Supply List

### LUMBER:

Five (5) 8-foot 2x4s | One (1) 12-foot 2x4 | One (1) sheet of 4'x8'x1/2" plywood

### HARDWARE:

One (1) box of 1 1/2" #10 deck screws | One (1) box of 2 1/2" #10 deck screws  
Six (6) 1/4"-20x4" carriage bolts | Six (6) 1/4" flat washers | Six (6) 1/4"-20 wing nuts

### TOOLS:

Tape measure | T-square | Power drill with drill and Phillips head bits  
Circular saw | Router with cutting bit or jigsaw with wood-cutting blade





# 'Get In The Game' Football Toss Wall

Supply List and Build Instructions

## BUILD INSTRUCTIONS

1. Build 4' wide x 8' tall frame using three (3) 8-foot 2x4s. Use two (2) 8 footers for frame height, and cut one (1) 8' into two (2) 44 7/8" sections for frame width.
2. Affix four (4) frame pieces with 2 1/2" #10 deck screws (two at each of four corners).
3. Cut two (2) 8" 2x4 sections to use as spacers for top arm of game support. Drill a 9/32" hole in the center of both 8" sections and countersink for a 1/4"-20x4" carriage bolt.





# 'Get In The Game' Football Toss Wall

Supply List and Build Instructions

## BUILD INSTRUCTIONS

4. Affix two (2) 8" sections (to center) 63 5/8" from bottom of frame. (See Diagrams 1-Side and 1-Back.)



5. Affix full sheet of 4'x8'x1/2" plywood to 4'x8' frame with 1 1/2" #10 deck screws.

6. Draw and cut three (3) 14" diameter holes (at locations of your choice) in the plywood.

7. Construct bottom (ground) support by using two (2) 48" 2x4s and one (1) 42" 2x4, fastened with two (2) 2 1/2" # 10 decking screws on both sides. (See Diagrams 2 and 2A.) Note: Notch both 48" sections (both sides at 45-degree angles) at the ends that attach to the 4'x8' frame.





# 'Get In The Game' Football Toss Wall

Supply List and Build Instructions

## BUILD INSTRUCTIONS

8. Attach ground support to 4'x8' with two (2) 1/4"-20x4" carriage bolts, flat washers and wing nuts.



9. Cut two (2) 72 3/8" 2x4s to use as back supports between ground support and 4'x8' frame, with 9/32" holes drilled 1 3/16" down and 2 3/8" left from top of each support arm (same hole positioning should be drilled on both sides of each arm support). Attach tops to 4'x8' frame spacers and at back ends of ground support.



10. Paint/decorate outward facing side of plywood . . . And, get into the game!!

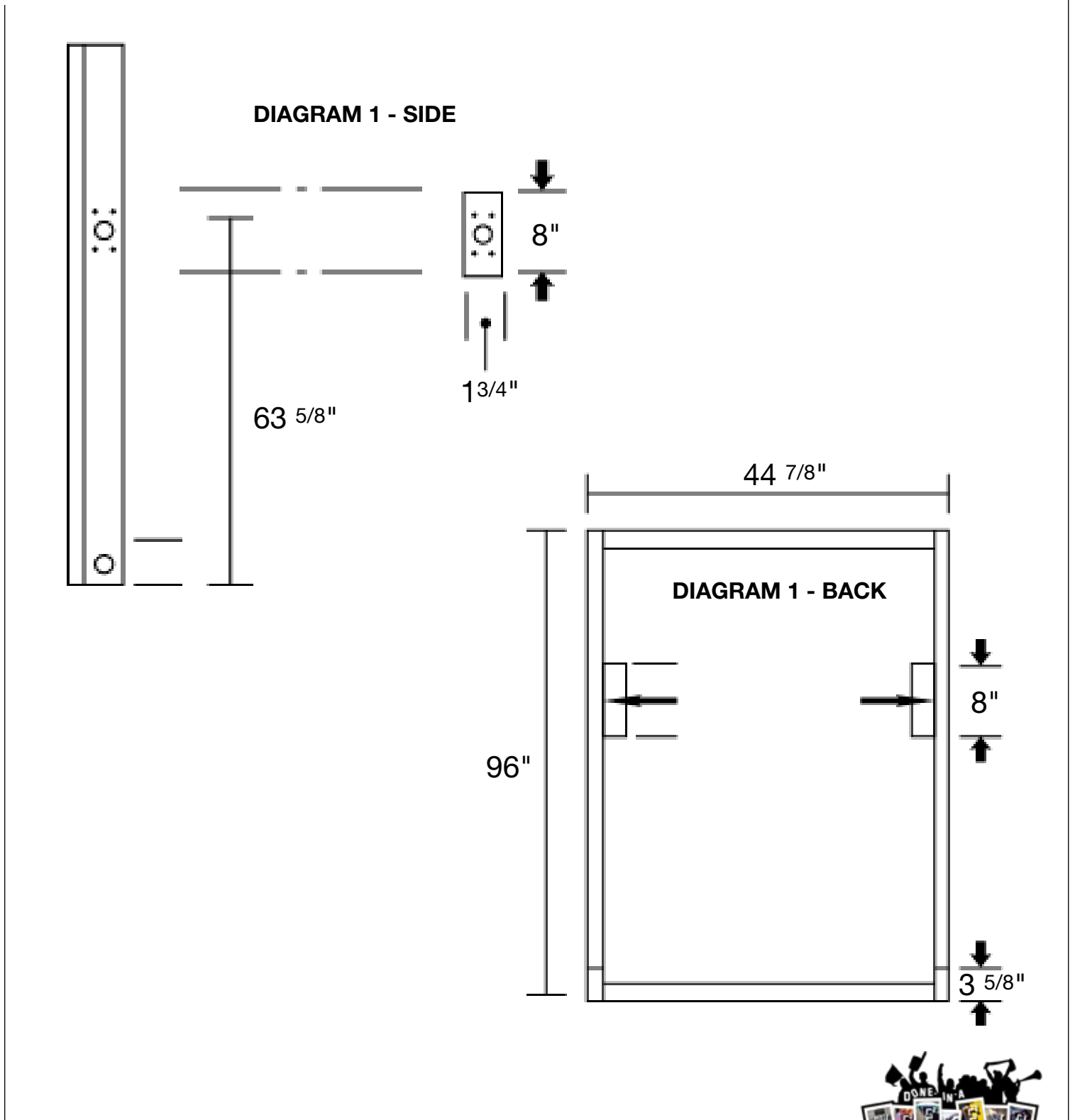




# 'Get In The Game' Football Toss Wall

Supply List and Build Instructions

## BUILD DIAGRAMS

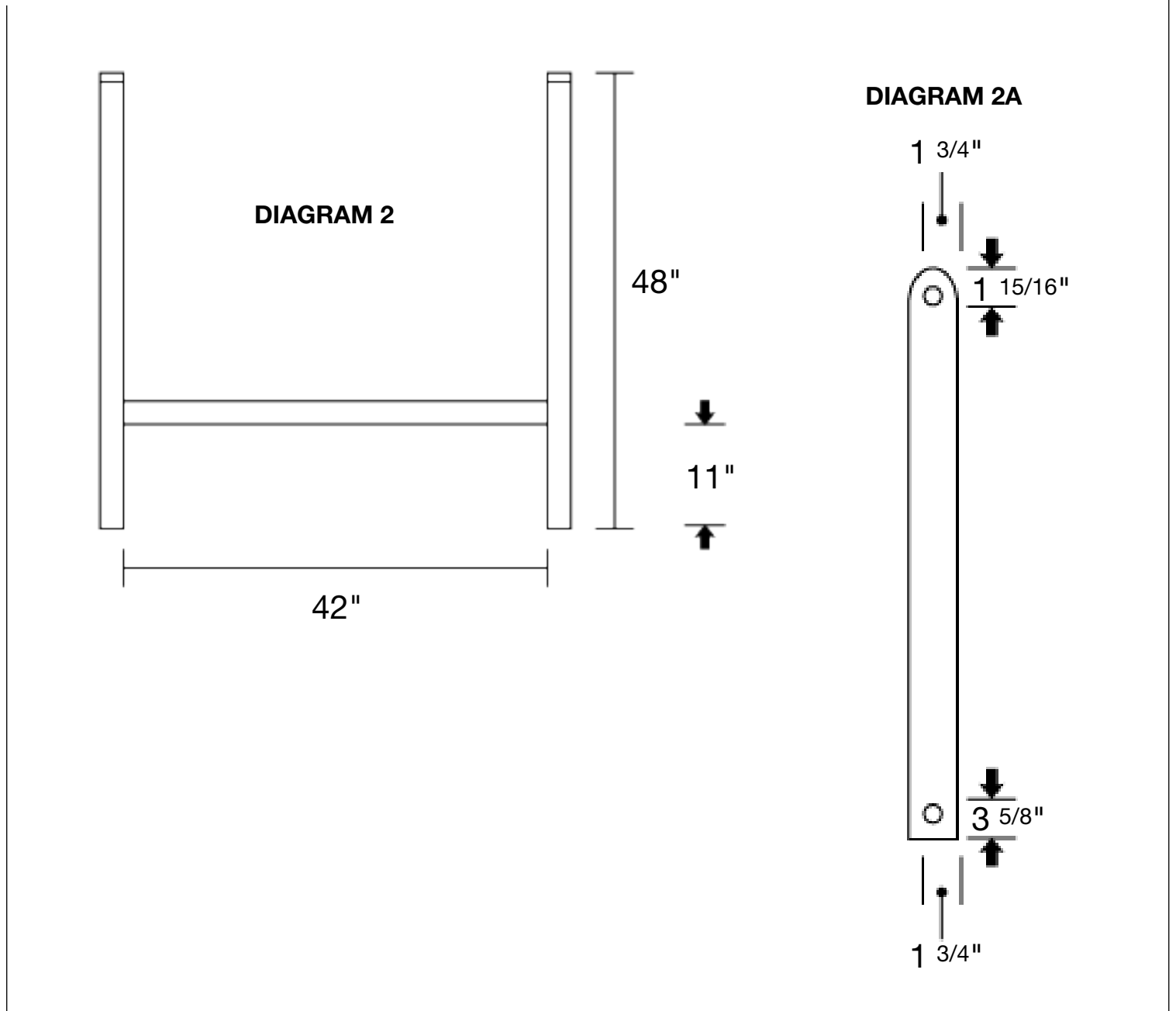




# 'Get In The Game' Football Toss Wall

Supply List and Build Instructions

## BUILD DIAGRAMS



## CARE INSTRUCTIONS

If football toss wall will be stored outside, treated lumber is recommended.

